

# COM/FOX

Leading in CATIA-JT Converter Category

The ProSTEP iViP Association and the Association of the German Automotive Industry (VDA) initiated various JT related projects, under it the ProSTEP iViP / VDA JT Application Benchmark.

The objective of the JT Application Benchmark 2015 was to achieve an independent evaluation of the progress being made with regard to the development of JT translators and viewing applications. In particular the quality of visualization and performance of JT application was compared according to the quality criteria defined by ProSTEP JT Workflow Forum.

Additionally, the interoperability between JT and the STEP AP 242 XML scheme was tested.

## Test Results

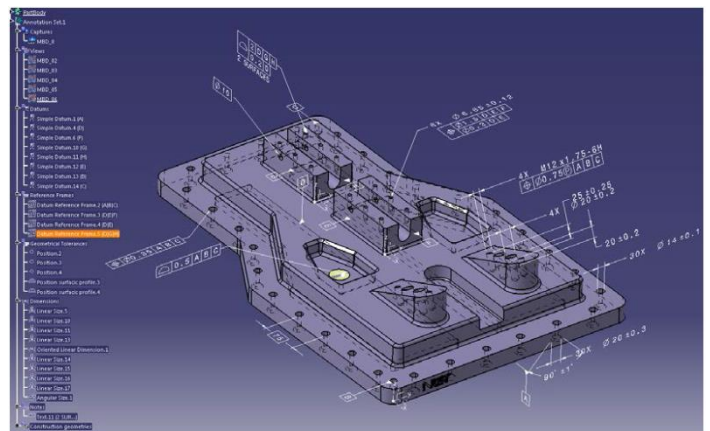
The test results have been published in March 2016 in Form of the „JT Application Benchmark 2015 Long Report - Version 1.0, 15.03.2016“.

COM/FOX is at the top of the CATIA V5 - JT converters and delivered another strong performance. In the category CATIA V5 - STEP AP242 XML/JT only COM/FOX fully met the test criteria.

## Tested Software

The following CATIA V5 - JT Translators were tested at the JT Application Benchmark:

CT CoreTechnologie	3D_Evolution
Elysium	ASFALIS
PTC	Creo
Siemens PLM	Bi-directional Translator for CATIA V5
Theorem Solutions	CADverter
T-Systems	COM/FOX



CATIA V5 test model

Criteria	BREP			Tesselation			PMI						Attributes						
	Center of Gravity	Volume	Surface	XT-BREP	Number of LODs	Names of LODs	Angular value correct	Chordal value correct	Style (Font, Size)	Layout (Text, Symbols)	Position	Orientation	Links to geometry kept	Links to other PMI kept	Semantic PMI	PMI organized in views	different types of PMI	CAD properties exist	Translator information exist
CATIA → JT Translator																			
CT CoreTechnologie	✓	✓	✓	✓	✓	✓	✓	✓	✓	✓	✓	✓	✓	✓	○	✓	✓	✓	✓
3D_Evolution	✓	✓	✓	✓	✓	✓	✓	✓	✓	✓	✓	✓	✓	✓	○	✓	✓	✓	✓
Elysium	✓	✓	✓	✓	✓	✓	✓	✓	✓	✓	✓	✓	✓	✓	○	✓	✓	✓	✓
Asfalit	✓	✓	✓	✓	✓	✓	✓	✓	✓	✓	✓	✓	✓	✓	○	✓	✓	✓	✓
Siemens	✓	✓	✓	✓	✓	✓	✓	✓	✓	✓	✓	✓	✓	✓	○	✓	✓	✓	✓
JT Translator for Catia	✓	✓	✓	✓	✓	✓	✓	✓	✗	✗	✓	✓	✗	✗	○	✓	✓	✓	✗
Theorem	✓	✓	✓	✓	✓	✓	✓	✓	✗	✗	✓	✓	✗	✗	○	✓	✓	✗	✓
CADverter MultiCAD	✓	✓	✓	✓	✓	✓	✓	✓	✓	✓	✓	✓	✓	✓	○	✓	✓	✓	✓
Theorem	✓	✓	✓	✓	✓	✓	✓	✓	✓	✓	✓	✓	✓	✓	○	✓	✓	✓	✓
CADverter CAA	✓	✓	✓	✓	✓	✓	✓	✓	✓	✓	✓	✓	✓	✓	○	✓	✓	✓	✓
T-Systems	✓	✓	✓	✓	✓	✓	✓	✓	✓	✓	✓	✓	✓	✓	○	✓	✓	✓	✓
COM/FOX	✓	✓	✓	✓	✓	✓	✓	✓	✓	✓	✓	✓	✓	✓	○	✓	✓	✓	✓

Table 6: Catia to JT results

Results for CATIA V5 - JT

- ✓ Criterion fulfilled: The target model fulfilled the target value of the test criterion within the defined tolerance
- ✗ Criterion not fulfilled: The target model did not observe the given tolerance
- ◆ Not tested: The criterion could not be tested due to failures in the input model e.g. if PMI were lost during the first translation step, PMI criteria could not be tested for the second translation step
- Not supported: The feature is not supported by the translator This must be announced by the vendor before test run starts

Figure 10: Test result categories

Legend

Source: Extract of „JT Application Benchmark 2015 Long Report - Version 1.0, 15.03.2016“

Source -> JT		Test Criteria			
Source System		Product Structure	Instantiation of Parts	XML file is valid	Assembly Attributes
CATIA V5	CoreTechnologie	✗	✓	✓	✗
	Siemens	✗	✓	✗	✗
	Theorem	✓	✓	✓	✗
	T-Systems	✓	✓	✓	✓
Teamcenter	PROSTEP	✓	✓	✓	○

Table 18: JT with STEP AP242 XML: Source to JT with STEP AP242 XML comparison results

Results for CATIA V5 - STEP AP242 with JT

### Contact

T-Systems International GmbH

Phone: +49 40 30600 5544

E-mail: [product.support@t-systems.com](mailto:product.support@t-systems.com)

Internet: <http://plm.t-systems-service.com/en/comfox>